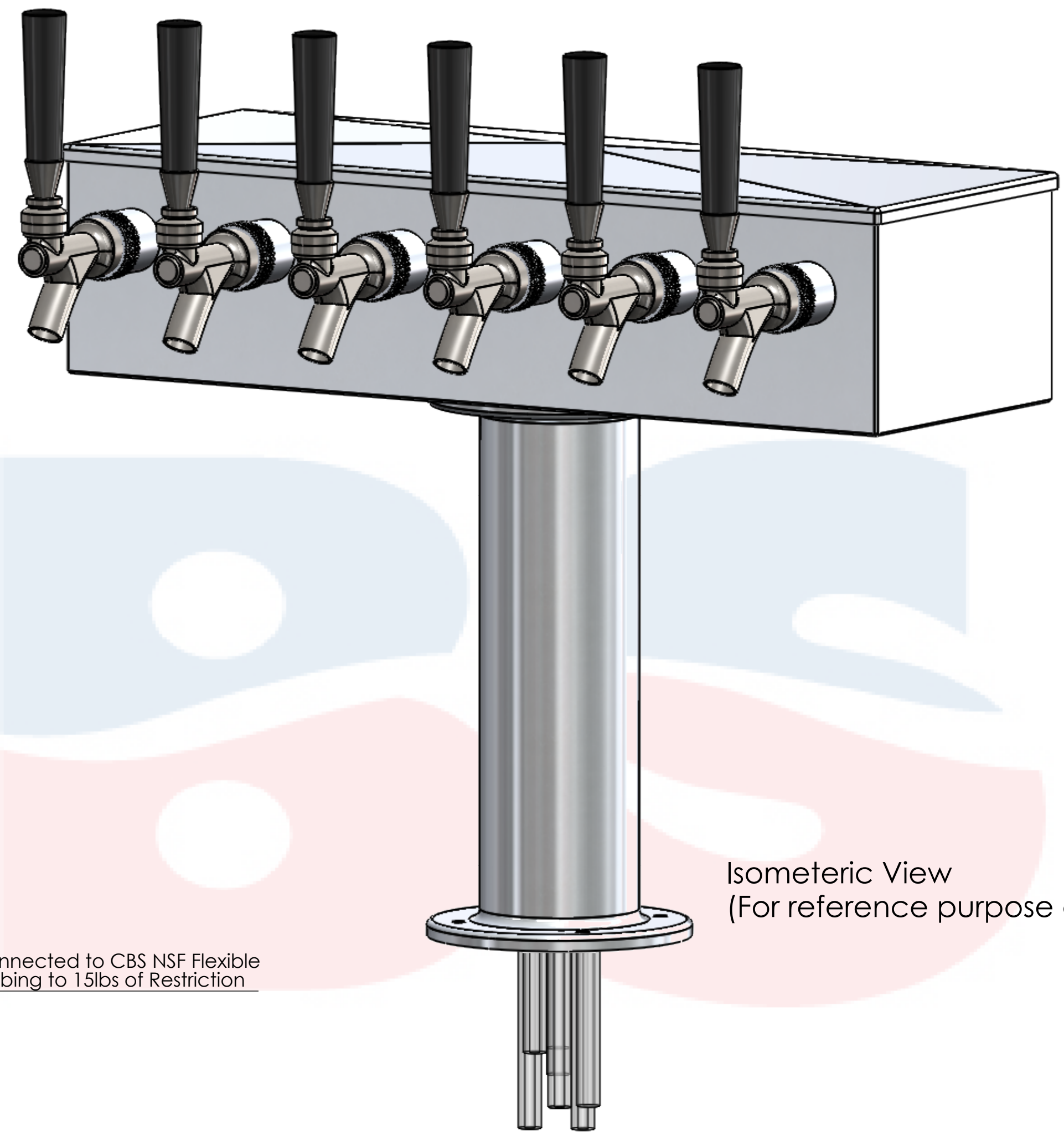
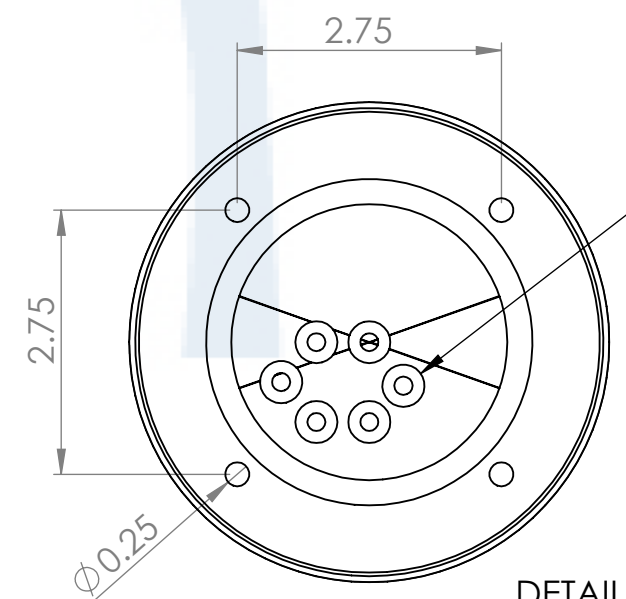
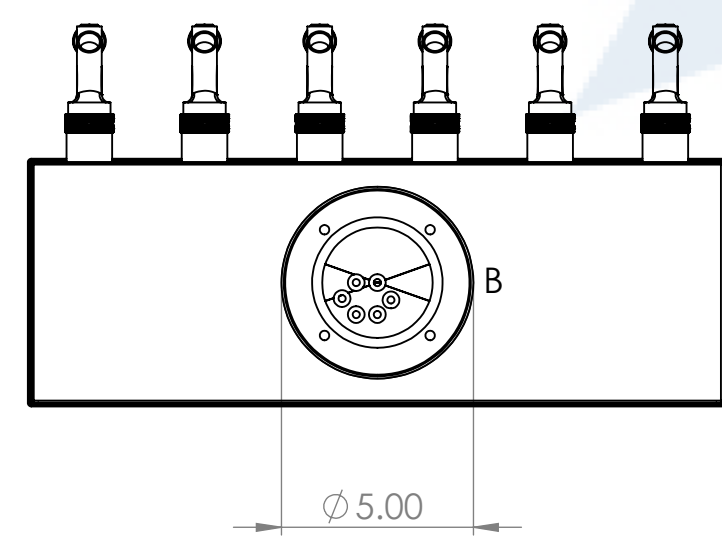


304SS tube connected to CBS NSF Flexible Total Barrier Tubing to 15lbs of Restriction



Isometric View  
(For reference purpose only)



DETAIL B  
SCALE 1 : 2

Suggested Drip Tray:  
BB701320 - 20" x 7" BSS Drip Tray  
BB702420 - 20" x 7" BSS Spray Drip Tray



Name		Date		Title:	
Drawn by:	Canadian Beverage Supply Inc.	07/14/2020		6 TAP 3" T - TOWER	
Approved by:	VP Sales				
Material:	304 SS	Finish:	Brushed SS	Part Number:	BB102010-06
Unless otherwise mentioned, dimensions are inches				Revision:	
SCALE: 1:5				SHEET 1 OF 1	